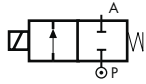


2/2 WAY DIRECT ACTING SOLENOID VALVE, G 1/8" - G 1/4"



normally closed

TYPE: D262/263

TECHNICAL SPECIFICATIONS

Media: water, oil, air
Media temperature: -10°C ÷ +130°C
Ambient temperature: -10°C ÷ +50°C
Body material: brass (CW617N EN 12165)
Orifice material: stainless steel (1.4305 EN 10088/AISI 303)
Operator material: stainless steel
Seal material: foodgrade FKM
Coil power: AC 18va (holding)
AC 36va (inrush)
DC 14w
Protection class: IP 65 (with connector)

OPTIONS

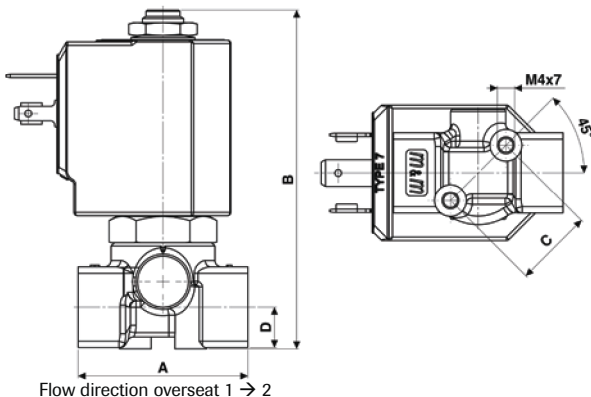
Normally open with class "H" coils only (e.g. code RD263DVG 7701)
Manual override (e.g. code D262DVHM)
EPDM seal for air and hot water MAX 120°C (e.g. code D262DEH)
High pressure version see page 24
Steam version see page 32
EEX proof version see page 43



SELECTION TABLE

VALVE	G connection	nominal diameter	flow rate Kvs	OPD			COILS	
				min	max AC	max DC	code	[Volts/Hz]
code	[ISO 228 G]	[mm]	[l/min]	[barg]	[barg]	[barg]	code	[Volts/Hz]
D262DVA	1/8"	1.0	0.5	0	30	30	7250	24v DC
D262DVC	1/8"	1.5	1.3	0	24	24	7200	24v 50/60Hz
D262DVG	1/8"	2.5	3.4	0	18	16	7400	110v 50Hz - 120v 60Hz
D262DVH	1/8"	3.0	4.5	0	15	8	7600	200v 50Hz - 220v 60Hz
D263DVC	1/4"	1.5	1.3	0	24	24	7700	230v 50Hz - 240v 60Hz
D263DVG	1/4"	2.5	3.4	0	18	16		
D263DVH	1/4"	3.0	4.5	0	15	8		
D263DVL*	1/4"	4.0	6.0	0	10	5		
D263DVN*	1/4"	5.0	7.5	0	5	2.5		
D263DVP*	1/4"	6.0	8.0	0	3	1		

* Normally open, manual override and high pressure versions not available for orifice size Ø > 3 mm



Flow direction overseat 1 → 2

DIMENSIONS & WEIGHTS

G connection	A	B	C	D	weight
[ISO 228 G]	[mm]	[mm]	[mm]	[mm]	[kg]
1/8" - 1/4"	40	77.5	18.5	9.5	0.26