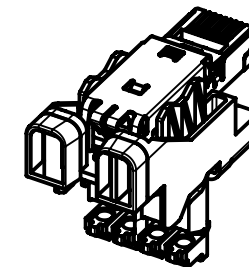
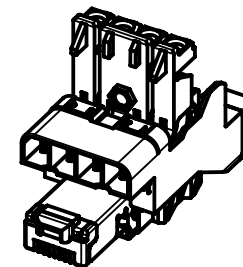
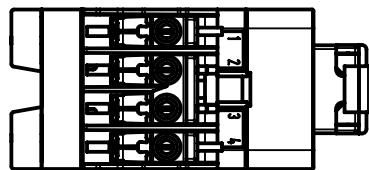
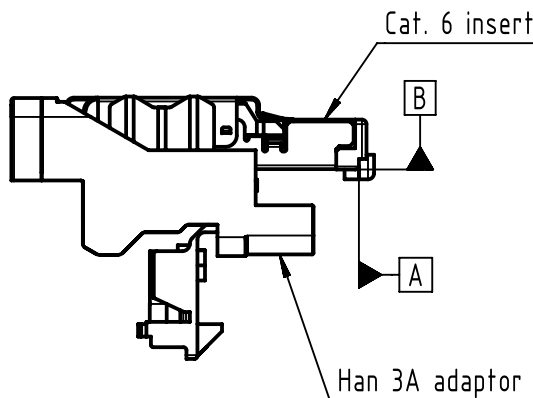
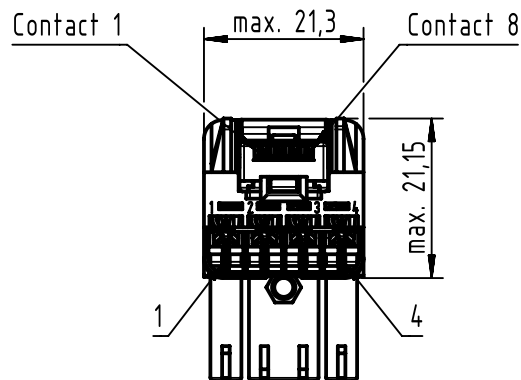


A

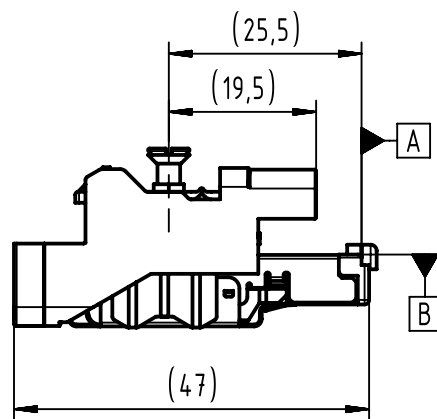


B



C

Han 3A adapter with closed lever:



- For solid and stranded conductors AWG 27 up to AWG 22
- Max. wire diameter 1.5mm
- Cat.6 performance class EA suitable for 1/10 Gigabit Ethernet
- Temperature range -40°C up to +70°C
- 750 mating cycles

D

	All Dimensions in mm Original Size DIN A4	Scale 1:1	Free size tol.			Ref.
	All rights reserved Department EC PD - RO	Created by TAMAS	Inspected by AVRAM	Standardisation HOFFMANN	Date 2016-02-12	State Final Release
Title Han3A RJ45 Hybrid 10G insert 8+4p IDC					Doc-Key / ECM-Nr. 100191439/UGD/002/B 500000100305	
HARTING Electronics GmbH D-32339 Espelkamp		Type TB	Number 09451001760			Rev. B
					Page 1/1	